

TIPS and TRICKS

If any pieces are missing or defective, contact us at service@abong.com. We will take care of you!

Use a quality carpenter's glue.

Build the base on a flat, smooth surface, using a quality wood glue.

Apply glue only where indicated by dark shading.

"Dry fit" all parts to check for a proper fit before applying glue

Use the corner of a sheet of paper to check that the parts are aligned at right angles.

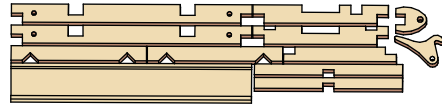
Finally, be patient. Wait for the glue to set and dry completely between each step.

Use the finished model responsibly!

TREBUCHET ASSEMBLY INSTRUCTIONS

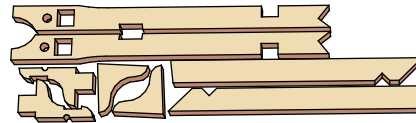
PARTS LIST

Base Assembly

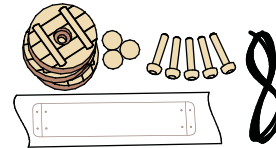


Identify all the parts supplied with your kit. Many pieces appear similar. Assembling the parts correctly is important for a well performing kit!

Upper Frame Assembly



Wheels and Sling



Throwing Arm and Counterweight

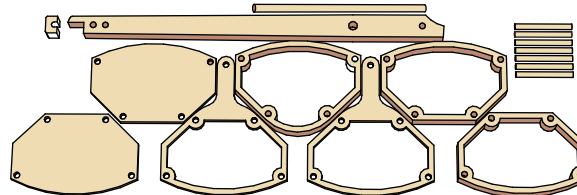
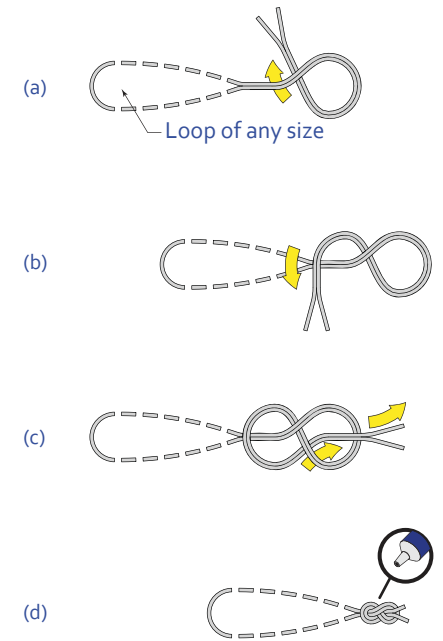
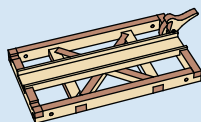
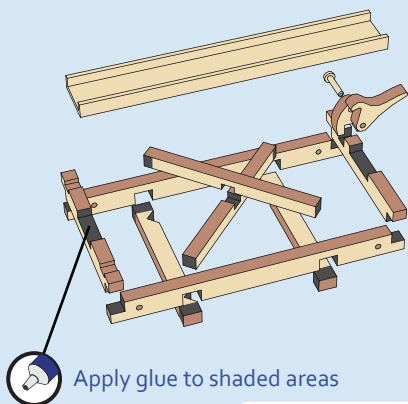


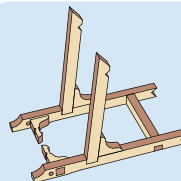
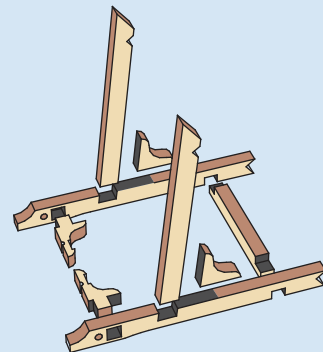
FIGURE OF EIGHT KNOT



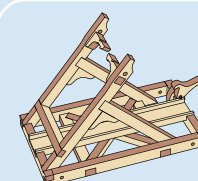
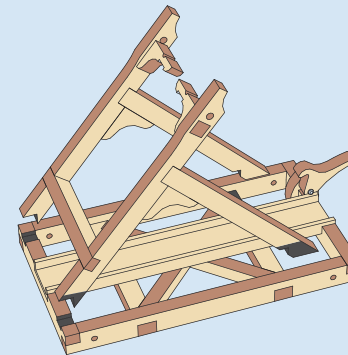
- 1** Assemble and glue the base and trigger as shown. The pin rotates freely in the bracket, and is glued to the trigger.



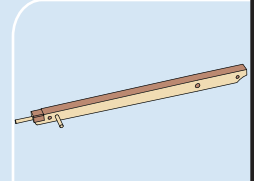
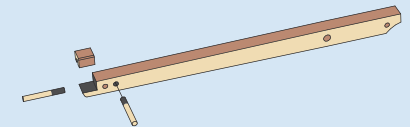
- 2** Assemble and glue the upper frame, keeping the two sides parallel to each other.



- 3** Glue the upper frame to the base, ensuring a tight and secure fit at all joints.



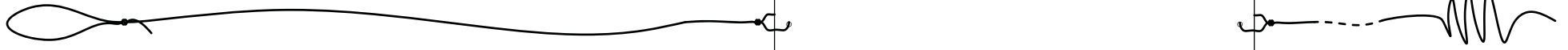
- 4** Assemble and glue the throwing arm.



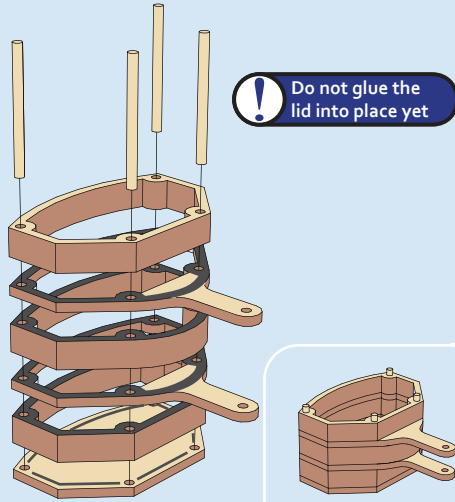
FINISHED SLING

This is the sling at full scale that you should have at the end of step 9. If your cord turns out a little longer, tie knots in it until your sling matches the diagram exactly. The overall length is critical!

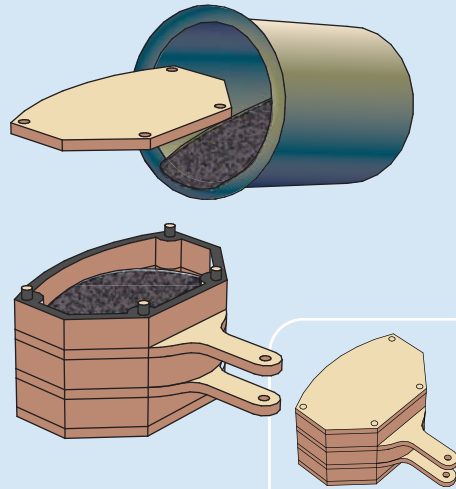
! Leave this end full length for now...



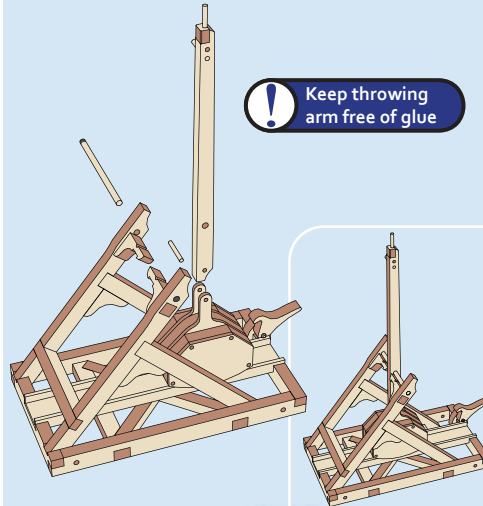
- 5** Assemble and glue the counterweight, using the dowels to align the parts.



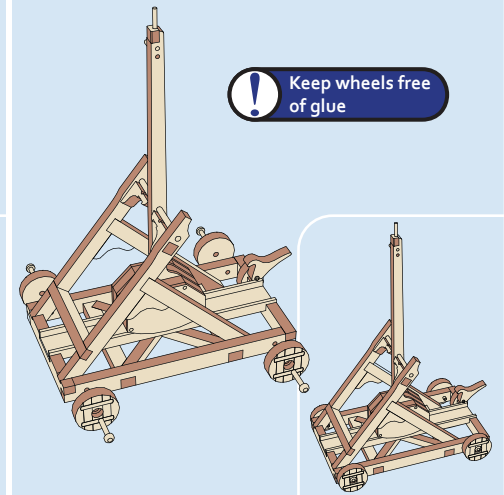
- 6** Fill the counterweight with metal BBs, steel shot or small fishing weights (not included), and glue the lid in place. The counterweight should weigh at least 200g (7 oz)



- 7** Assemble the counterweight and throwing arm to the frame with the supplied dowel. It is critical that the throwing arm can swing freely.



- 8** Apply a drop of glue inside the axle holes in the frame and attach the wheels using the supplied axle pins. Ensure all wheels turn easily.



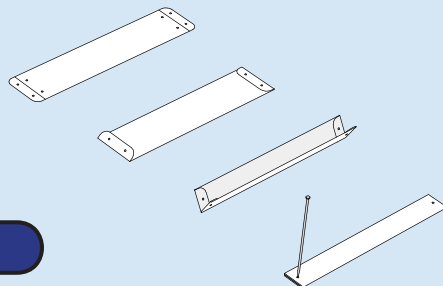
- 9** Cut the sling to shape, and fold it as shown, piercing each end with a nail or pin where indicated.

Next, cut the supplied cord in half, and tie one length to each end of the sling using the figure of eight knot explained on page one.

Use the guide above, and form a 3/4" (18mm) loop in one end, matching the overall length of the cord.

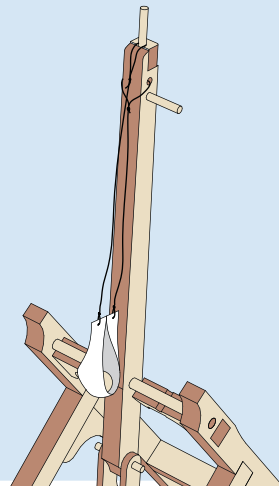
Trim any excess cord from the looped end.

A drop of glue will "size" the knots, preventing them from coming undone.



- 10** Slip the looped and trimmed end over the throwing arm pin as shown.

Tie the other end to the throwing arm so the sling hangs level with the axle.

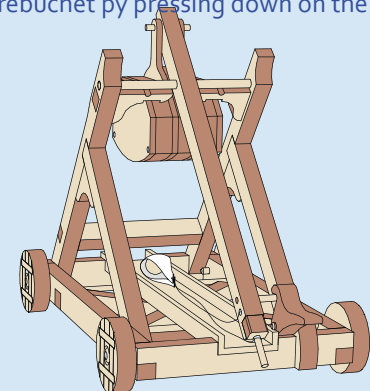


- 11** Load the trebuchet by slipping the looped cord over the throwing arm pin

Lower the throwing arm, latching it in place with the trigger lever.

Place a piece of ammo in the sling, and arrange the sling in the firing trough as shown

Fire the trebuchet by pressing down on the trigger lever.



! See "FINISHED SLING" above for the exact size.